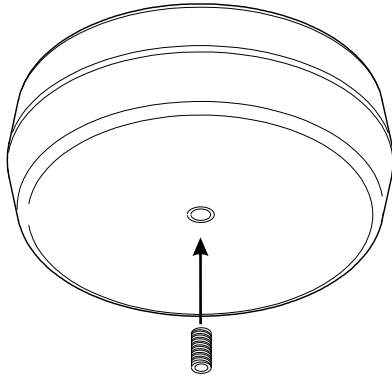


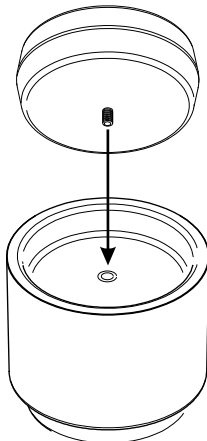
tingle + top

1 start here



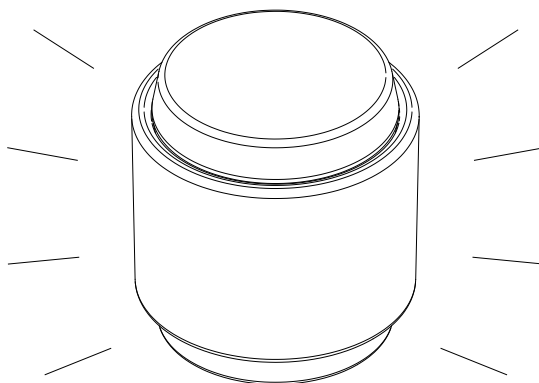
Insert threaded connector into hole on top (hard top or cushion top)

2



Guide the threaded insert into the hole on the tingle base and turn

3



sit and enjoy!

what you get

- tingle stool base
- hard top OR cushion top
- threaded connector shaft

assembly

1. Insert and screw connector shaft into bottom of seat (hard top OR cushion). Screw it in clockwise until it stops or is roughly 1cm inserted.
2. Position top over tingle base well and align shaft with corresponding threaded hole.
3. Spin Top clockwise until securely fastened being careful to not over tighten it.

NOTE: Tingle tops and cushions must be screwed down firmly until underside of cushion is firmly against internal floor of stool. Failure to do so may damage cushion and or thread.

dos & don'ts

- don't - over tighten top, this may damage the tingle base or top
- don't - throw, kick, roll or jump on the tingle
- do- enjoy and have fun!



Warranty

Warranty: 1 Year.

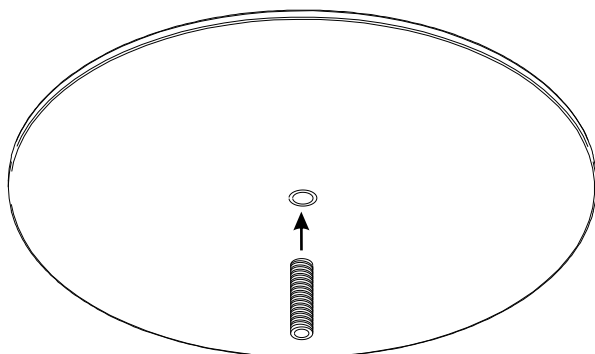
- 1.All warranty claims are at Luxxbox's discretion and in accordance with the requirements of the Commonwealth Trade Practices Act 1974.
- 2.All products must be assembled correctly and used for the intended purpose, otherwise warranty may be void.
- 3.Luxxbox recognises that from time to time defects can occur and will make every effect to remedy the product where Luxxbox is at fault. At all times we wish that the Luxxbox customer experience is a happy one.

For more information, please see check our website www.luxxbox.com.au .

Luxxbox reserves the right to change specifications at any time. Copyright 2009 all rights reserved.

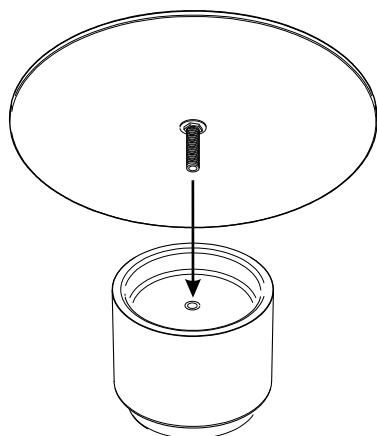
tingle + table

1 start here



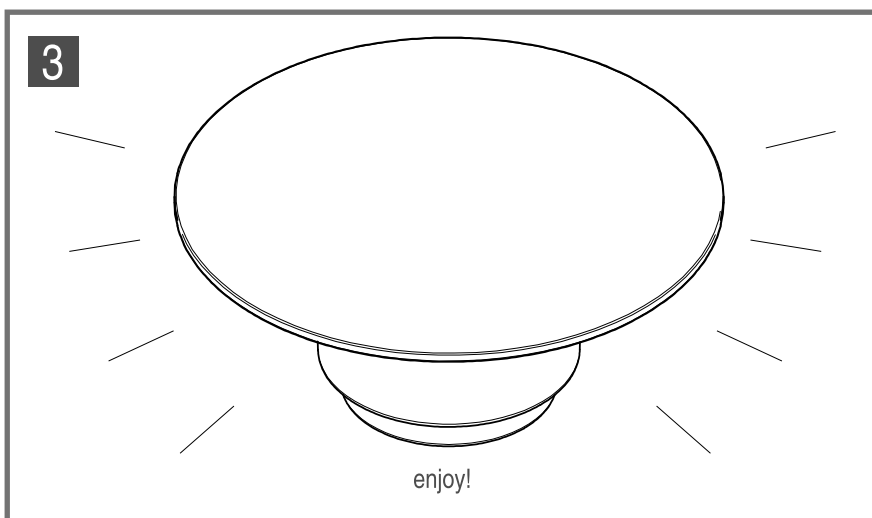
Insert threaded connector but don't screw it in all the way.

2



Guide the threaded insert into the hole on the tingle base and turn clockwise to fasten

3



what you get

- tingle stool base
- table top
- threaded connector shaft

assembly

1. Insert and screw connector shaft into bottom table top. Screw it in clockwise until it stops or is roughly 1cm inserted.
2. Position table top over tingle base well and align shaft with corresponding threaded hole.
3. Spin table top clockwise until securely fastened being careful to not over tighten it.

dos & don'ts

- don't - over tighten top, this may damage the tingle base or top
- don't - throw, kick, roll or jump on the tingle or table top
- do - enjoy and have fun!



tingle + table

Warranty

Warranty: 1 Year.

- 1.All warranty claims are at Luxxbox's discretion and in accordance with the requirements of the Commonwealth Trade Practices Act 1974.
- 2.All products must be assembled correctly and used for the intended purpose, otherwise warranty may be void.
- 3.Luxxbox recognises that from time to time defects can occur and will make every effect to remedy the product where Luxxbox is at fault. At all times we wish that the Luxxbox customer experience is a happy one.

For more information, please see check our website www.luxxbox.com.au .

Luxxbox reserves the right to change specifications at any time. Copyright 2007 all rights reserved.